

## YY SINGLE PHASE CAPACITOR RUN INDUCTION MOTOR

Product Categories: YY SERIES Motor

Product Description:

Frame NO.: 63~90	Power: 0.12~2.2kW
Operation service: S1	Rated Voltage: ±5%
Insulation class: B.F	Protection class: IP44
EFF: EF3 EF2 EF1	Ambient temperature:-15C~40C

Products Introduction:

YY series single-phase capacitor running asynchronous motor have good performance, safe and reliable operation, nice appearance, convenient maintenance low noise, slight vibration, light weight and simple construction.

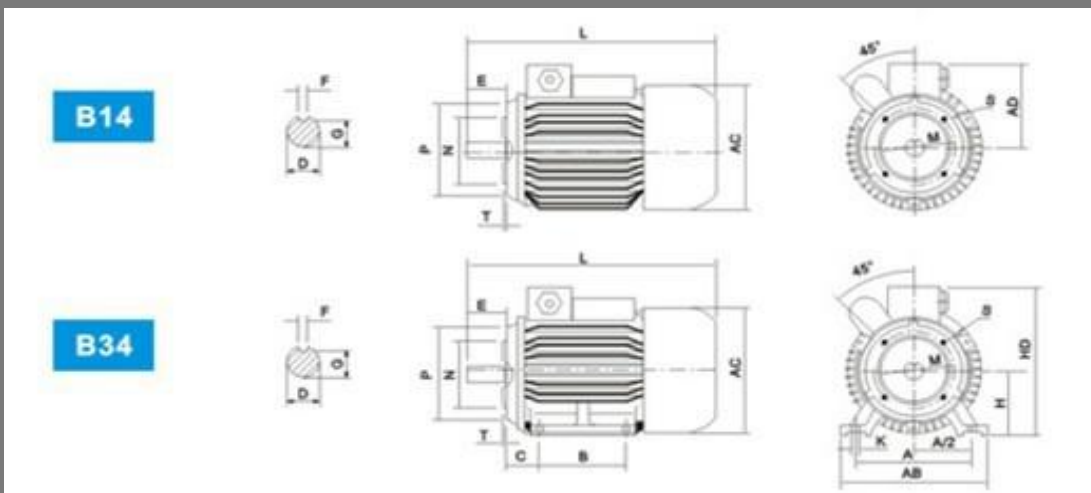
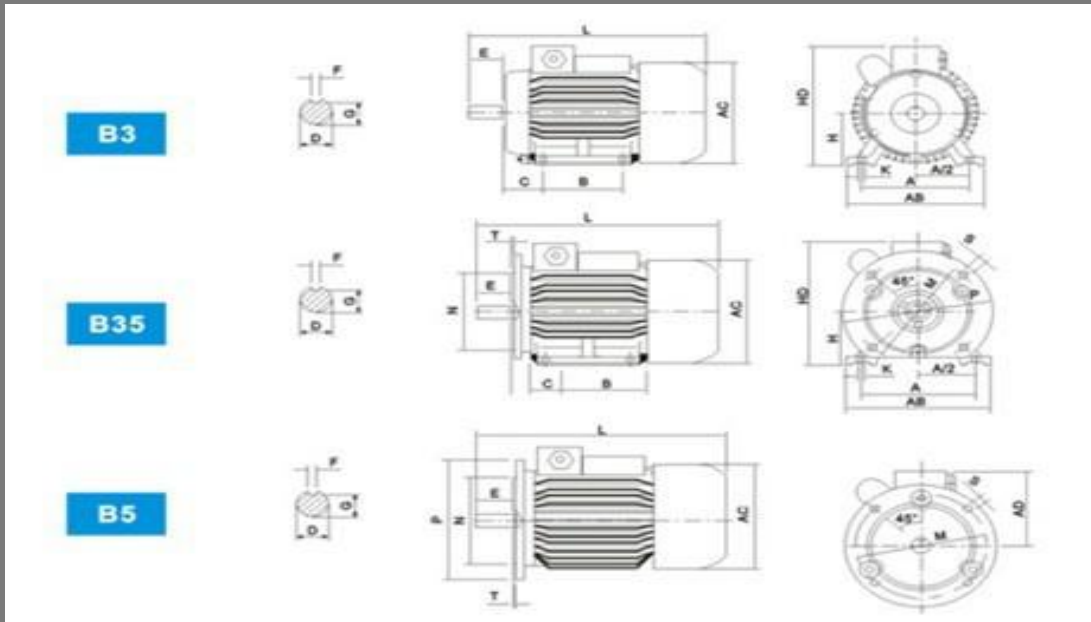
This samll motor is suitable for household appliances (washing machine, electric fan, pump), electric tools ( hand electric drill) and all kinds of light loading and none loading start equipment.

Technical Data (220V/50Hz) - YY motor

型号 Type	功率 Power		电流 Current	转速 Speed	效率 Eff	功率因素 Power Factor	堵转电流/额定电流 Starting current/Rated current	堵转转矩/额定转矩 Starting torque/Rated torque	最大扭矩/额定转矩 Max torque/Rated tprque
	Hp	kW	(A)	(r/min)	(%)	(cos φ)			
220V 50HZ 2P									
YY6312	1/6	0.12	0.99	2800	60	0.92	3.5	0.5	1.7
YY6322	1/4	0.18	1.4	2800	65	0.92	5	0.4	1.7
YY7112	1/3	0.25	1.9	2800	66	0.92	7	0.4	1.7
YY7122	1/2	0.37	2.7	2800	67	0.92	10	0.35	1.7
YY7132	3/4	0.55	3.9	2800	70	0.92	15	0.35	1.7
YY8012	1	0.75	5.2	2800	72	0.92	20	0.32	1.7
YY8022	1.5	1.1	7.1	2800	75	0.95	30	0.32	1.7
YY90S-2	2	1.5	9.5	2800	76	0.95	45	0.3	1.7
YY90L-2	3	2.2	13.7	2800	77	0.95	65	0.3	1.7
220V 50HZ 4P									
YY6314	1/8	0.09	0.86	1400	52	0.92	2.5	0.45	1.7
YY6324	1/6	0.12	1.1	1400	57	0.92	3.5	0.4	1.7
YY7114	1/4	0.18	1.5	1400	59	0.92	5	0.4	1.7
YY7124	1/3	0.25	2	1400	61	0.92	7	0.35	1.7
YY7134	1/2	0.37	3	1400	62	0.92	10	0.35	1.7

YY8014	3/4	0.55	4.3	1400	64	0.92	15	0.35	1.7
YY8024	1	0.75	5.5	1400	68	0.92	20	0.32	1.7
YY90S-4	1.5	1.1	7.5	1400	71	0.95	30	0.32	1.7
YY90L-4	2	1.5	9.9	1400	73	0.95	45	0.3	1.7

YC YY SINGLE PHASE MOTOR DIMENSIONS(mm)



机座号 Frame No.	安装尺寸 Mounting dimension(mm)									B34 B14						
	A	B	C	D	E	F	G	H	K	凸缘号 Flange No.	M	N	P	R*	s	T
63	100	80	40	11	23	4	8.5	63	7	FT75	75	60	90	0	M5	2.5
71	112	90	45	14	30	5	11	71	7	FT85	85	70	105	0	M6	2.5
80	125	100	50	19	40	6	15.5	80	10	FT100	100	80	120	0		3
90S	140	100	56	24	50	8	20	90	10	FT115	115	95	140	0	M8	3
90L	140	125	56	24	50	8	20	90	10	FT115	115	95	140	0		3
100L	160	140	63	28	60	8	24	100	12	FT130	130	110	160	0		3.5
112M	190	140	70	28	60	8	24	112	12	FT130	130	110	160	0		3.5
132S	216	140	89	38	80	10	33	132	12	—	—	—	—	—	—	—
132M	216	178	89	38	80	10	33	132	12	—	—	—	—	—	—	—
机座号 Frame No.	B35 B5							外型尺寸 Overall dimensions								
	凸缘号 Flange No.	M	N	P	R*	S	T	AB	AC	AD	HD	L	DH			
63	FF115	115	95	140	0	10	3	135	130	70	180	230	M4×12			
71	FF130	130	110	160	0	10	3.5	150	145	80	195	255	M5×12			
80	FF165	165	130	200	0	12	3.5	165	175	145	220	295	M6×16			
90S	FF165	165	130	200	0	12	3.5	180	195	155	250	320	M8×19			
90L	FF165	165	130	200	0	12	3.5	180	195	155	250	345	M8×19			
100L	FF215	215	180	250	0	15	4	205	215	180	270	385	M10×22			
112M	FF215	215	180	250	0	15	4	230	240	190	300	400	M10×22			
132S	FF265	265	230	300	0	15	4	270	275	210	345	470	M12×28			
132M	FF265	265	230	300	0	15	4	270	275	210	345	510	M12×28			