

# DC Motor TW-730S Series

OUTPUT POWER: 3.0 - 65W (APPROX)

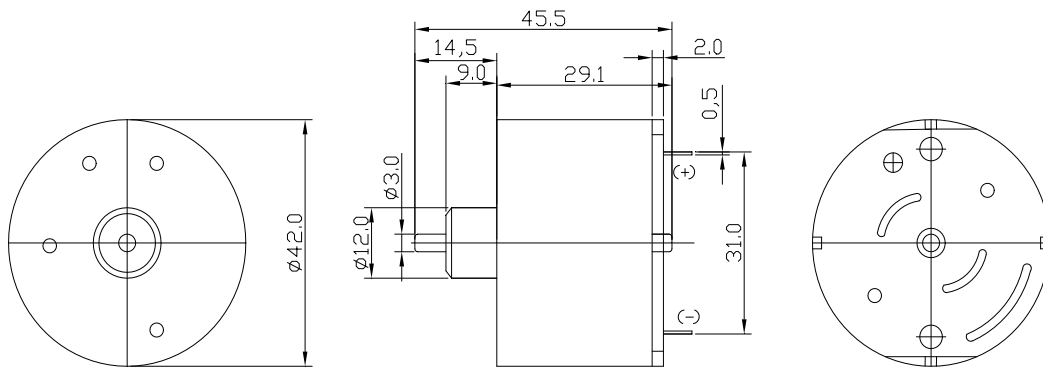


**Features:**  
\* Carbon Brush Motor.

**Weight:**  
109g (APPROX)

**Typical Application:**

1. Precision Instruments: Automatic Vending Machines
2. Home Appliances



**ELECTRICAL SPECIFICATION CHART:** (The specifications can be changed as customers' requirement)

Model	Voltage		At No Load		At Max Efficiency					Stall Torque G.CM
	Workable Range		RPM	Speed A	Current RRPM	Speed A	Current G.CM	Torque W	Output %	
TW-730S-062900	100~240V	220V Constant	6940	0.008	5583	0.033	86.0	4.92	67.4	440
TW-730S-25155	3.6~36.0V	12.0V Constant	5500	0.080	4734	0.480	55.7	2.70	46.9	400

**CHARACTERISTIC CURVES:**

