

**Typical Application Examples:**

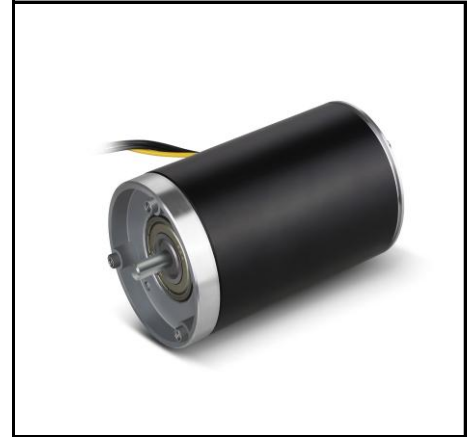
Water pump

**Characteristics:**

High Torque

**Specifications:**

Dimension	: Ø 77 X 130 mm
Shaft Diameter	: Ø 7.0 mm
Input Voltage	: 230 VAC 50 Hz RTE
Maximum Output Power	: 27.14 W
Maximum Efficiency	: 56.5 %
Speed at Maximum Efficiency	: 895 rpm
Torque at Maximum Efficiency	: 169.7 mNm
Life	
Weight	: 1785 g
Electrical Connection	: Leadwire
Operation Temperature	: -5 to +50 °C
Certification	

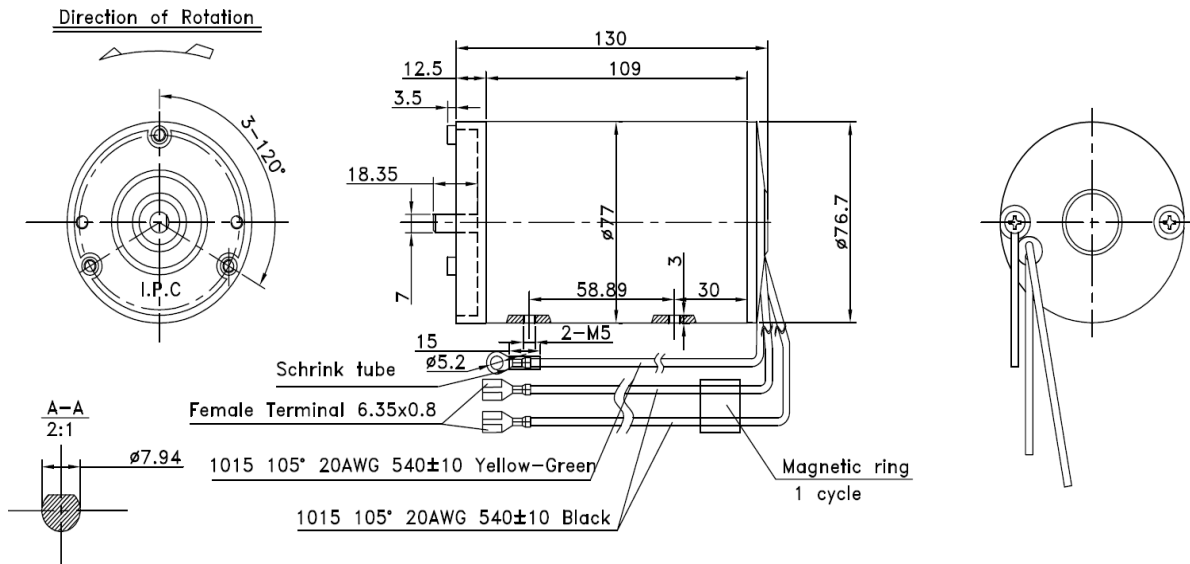


TW-5240

**Performance Data:**

	No Load	Stall	Max Eff	Max Output Power
Speed(rpm)	1287		895	483
Current(A)	0.056	0.479	0.127	0.304
Torque(Nm)		0.9	0.17	0.537
Output Power(W)			15.9	27.14

## Drawing:



## Performance Curve:

