

**Typical Application Examples:**

Handheld Mixer  
Soymilk Maker

**Characteristics:**

Compact Structure  
High power

**Specifications:**

Dimension	: Ø 45X 75 mm
Shaft Diameter	: Ø 5.0 mm
Input Voltage	: 230.0 V AC , 50 Hz
Maximum Output Power	: 239.2 W
Maximum Efficiency	: 66.7%
Speed at Maximum Efficiency	: 12334 rpm
Torque at Maximum Efficiency	: 93.6 mNm
Life	
Weight	: 470 g
Electrical Connection	: Terminal
Operation Temperature	: -10 to +60 °C
Certification	

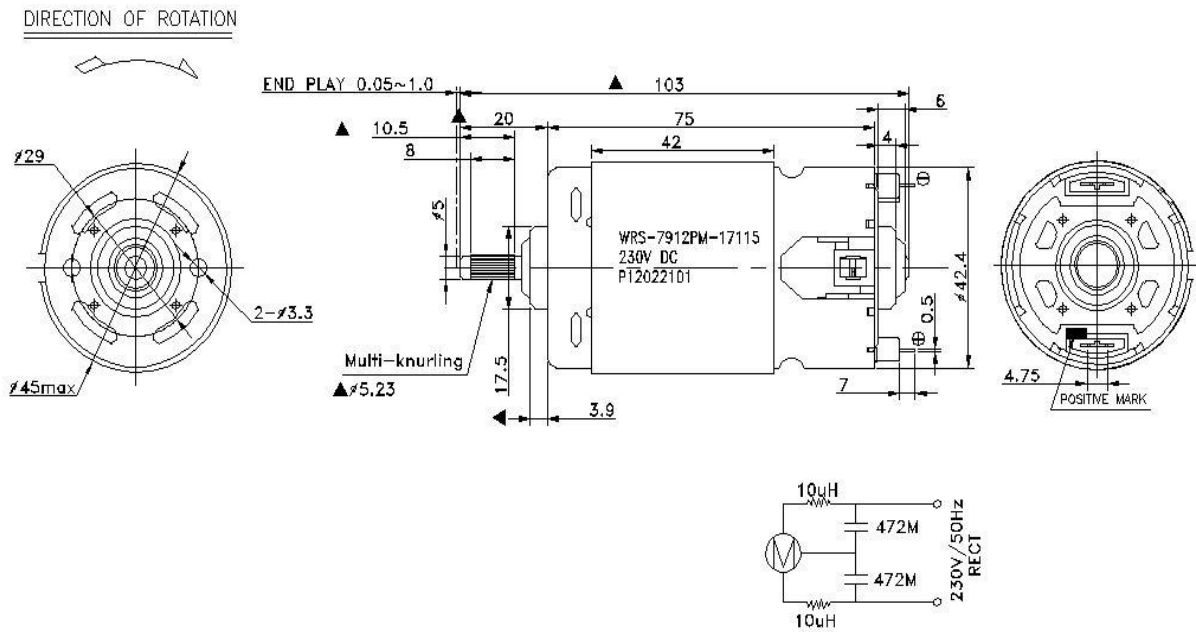


TW-7912

**Performance Data:**

	No Load	Stall	Max Eff	Max Output Power
Speed(rpm)	15222		12334	7656
Current(A)	0.229	4.292	0.922	2.273
Torque(Nm)		0.604	0.094	0.298
Output Power(W)			120.9	239.2

## Drawing:



## Performance Curve:

